

SINCHOLD Bolted Fixing

SINCHOLD 3116/13/36

Adjustable crane rail clip is designed to fix light rails in the most arduous applications. It can withstand a horizontal force from the rail of **38kN(3.9 tonnes)**. Its low profile allows it to be used with cranes that are fitted with guide rollers.

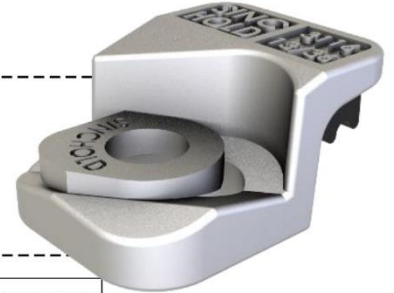
SPECIFICATIONS :

MAX SIDE LOAD **38kN**

13 mm HORIZONTAL RAIL ADJUSTMENT

DIMENSIONS (mm) :

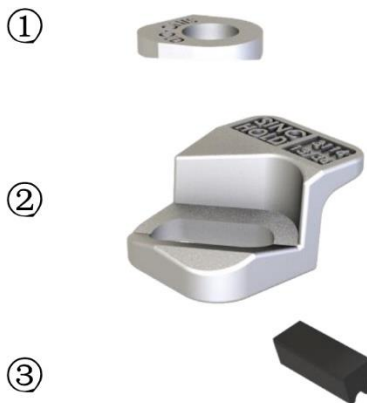
REF NO.	X	Y	Y	Z	WEIGHT ^② kg
		FULL NUT	THIN NUT		
3116/13/36	36	40	35	18	0.41
S (rubber)	RAIL WITH PAD PLAN			14mm	
H (rubber)	RAIL WITHOUT PAD PLAN			21mm	



FEATURES

- The proven design has been used successfully for many years throughout the world.
- The clip is bolted to the rail support.
- The two main parts are locked together on tightening the nut.
- A special vulcanized rubber block applies a controlled force to the rail.

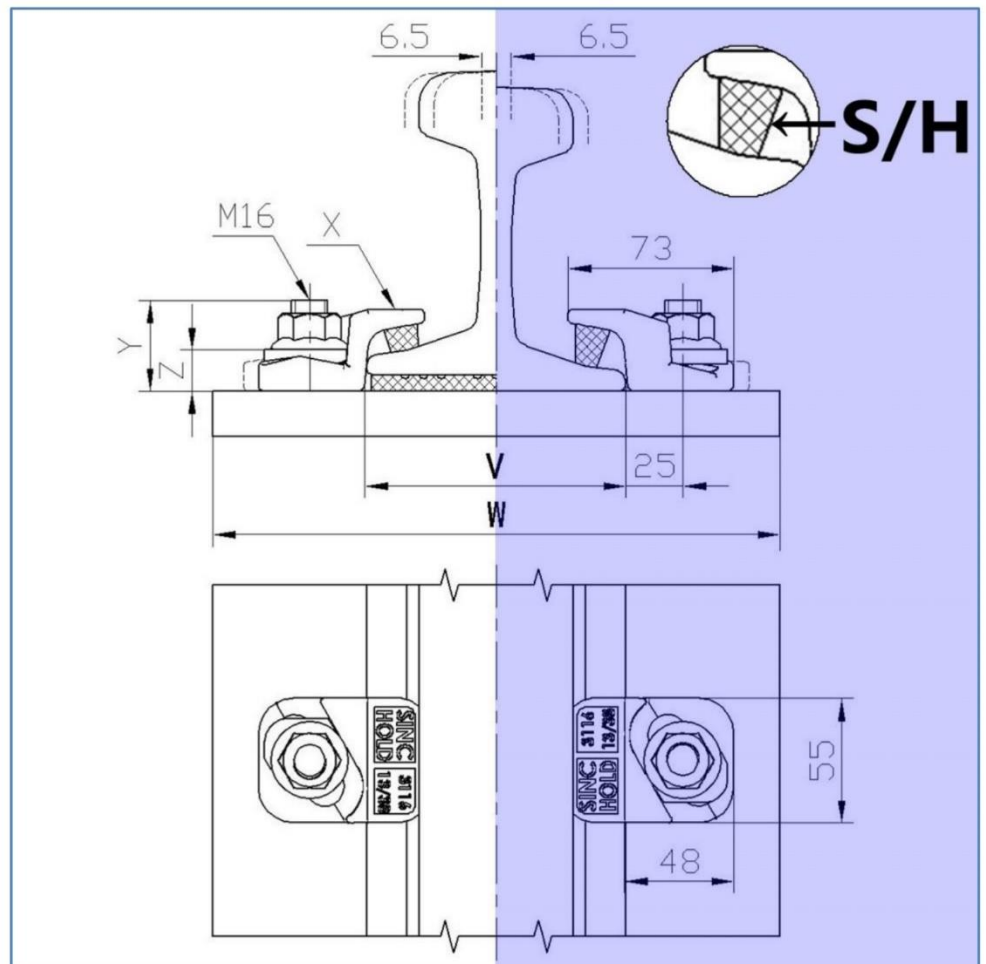
COMPONENTS



1. Special washer
2. Forging steel clip
3. Vulcanized rubber block

1: RAIL WITH PAD

2: RAIL WITHOUT PAD



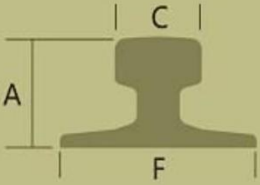
Minimum assembly width - $W = \text{Rail width (F)} + 110\text{mm}$

SINCHOLD

3116/13/36



SINCHOLD Bolted Fixing

	F mm	C mm	A mm	RAIL WEIGHT (kg/m)	1. CLIP REFERENCE FOR RAIL WITH PAD	2. CLIP REFERENCE FOR RAIL WITHOUT PAD
P 30	107.95	60.33	107.95	30.1	3116/13/36 (S)	3116/13/36 (H)
P 38	114	68	134	38.73	3116/13/36 (S)	3116/13/36 (H)
P 43	114	70	140	44.65	3116/13/36 (S)	3116/13/36 (H)
JIS 37	122	63	122	37.2	3116/13/36 (S)	3116/13/36 (H)
JIS 40	122	64	140	40.9	3116/13/36 (S)	3116/13/36 (H)
ASCE 60	108	60	108	29.8	3116/13/36 (S)	3116/13/36 (H)
ASCE 80	127	64	127	39.8	3116/13/36 (S)	3116/13/36 (H)
ASCE 85	132	65	132	42.3	3116/13/36 (S)	3116/13/36 (H)
S 14	70	38	80	14	3116/13/36 (S)	3116/13/36 (H)
S 20	82	44	100	19.8	3116/13/36 (S)	3116/13/36 (H)
S 30	108	60	108	30.03	3116/13/36 (S)	3116/13/36 (H)
S 41	125	67	138	41.4	3116/13/36 (S)	3116/13/36 (H)
A 45	125	45	55	22.1	3116/13/36 (S)	3116/13/36 (H)
A 55	150	55	65	31.8	3116/13/36 (S)	3116/13/36 (H)
A 65	175	65	75	43.1	3116/13/36 (S)	3116/13/36 (H)
ISCOR 22	95	50	95	22.37	3116/13/36 (S)	3116/13/36 (H)
ISCOR 30	110	57	110	30.15	3116/13/36 (S)	3116/13/36 (H)
15kg/m BHP	79	43	79	15.2	3116/13/36 (S)	3116/13/36 (H)
22kg/m BHP	94	51	94	22.3	3116/13/36 (S)	3116/13/36 (H)
AFNOR 26	100	50	110	25.6	3116/13/36 (S)	3116/13/36 (H)
AFNOR 30	106	56	126	30.2	3116/13/36 (S)	3116/13/36 (H)

This clip can be used for a wider selection of rails than illustrated. Please contact SINCHOLD for the full range of possible rails. All rails can be fastened with bolted or welded base clips. SINCHOLD may change or improve their products and also alter specifications without notice.

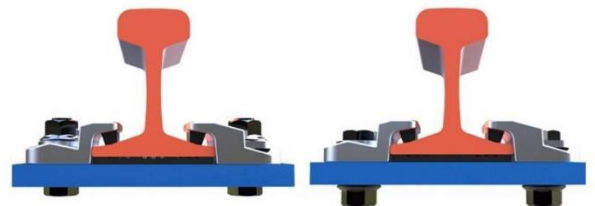
INSTALLATION INSTRUCTIONS:

The hexagon headed fixing bolt can be inserted from above or below the supporting structure – see adjacent configurations.

If it is desired to fix the clip with a welded stud, this may be possible. Please consult SINCHOLD for guidance.

TIGHTENING TORQUE
Grade 8.8 bolt 200Nm
Grade 10.9 bolt 300Nm
Please contact SINCHOLD
for full installation instructions.

BOLT CONFIGURATIONS:



SINCHOLD Port Engineering Co.,Ltd

Tel: 0086-510-83768896 Fax: 0086-510-83768826

E-mail: sales@sinchold.com

Add: No.82 Dongzhuang Industrial Park, Yanqiao Street,
Huishan District, Wuxi City, Jiangsu Province, P.R.China


www.sinchold.com

SINCHOLD 3116/13/36