

SINCHOLD Bolted Fixing

SINCHOLD 3224/20/44

Adjustable crane rail clip is designed to fix light rails in the most arduous applications. It can withstand a horizontal force from the rail of **390kN(39.2 tonnes)**. Its low profile allows it to be used with cranes that are fitted with guide rollers.

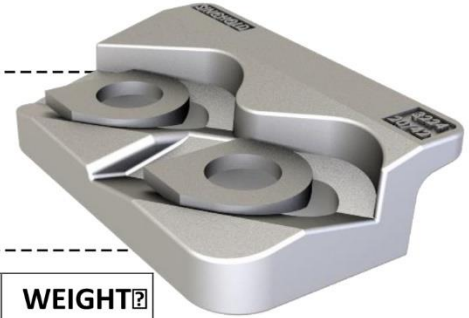
SPECIFICATIONS :

MAX SIDE LOAD **390 kN**

20 mm HORIZONTAL RAIL ADJUSTMENT

DIMENSIONS (mm) :

REF NO.	X	Y	Y	Z	WEIGHT ^② kg
		FULL NUT	THIN NUT		
3224/20/44	44	48	43	26	2.5
S (rubber)	RAIL WITH PAD PLAN			14mm	
H (rubber)	RAIL WITHOUT PAD PLAN			21mm	



FEATURES

- The proven design has been used successfully for many years throughout the world.
- The clip is bolted to the rail support.
- The two main parts are locked together on tightening the nut.
- A special vulcanized rubber block applies a controlled force to the rail.

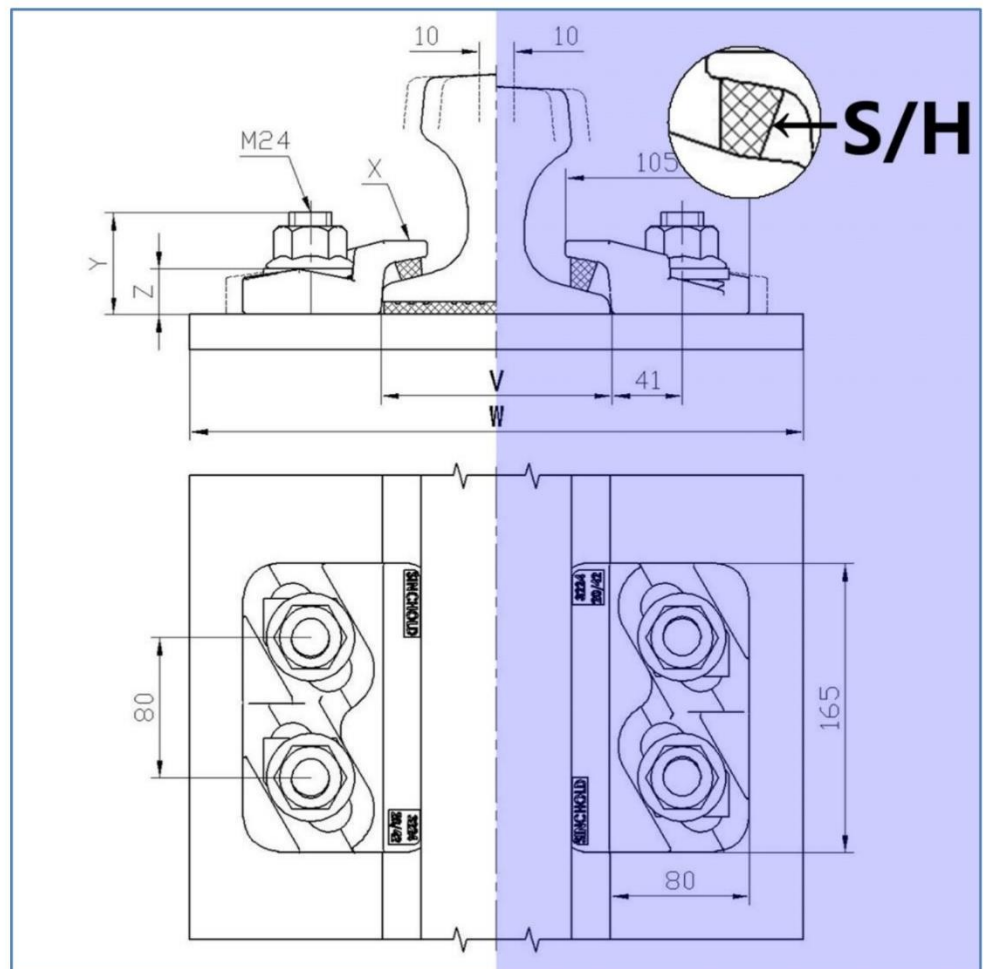
COMPONENTS



1. Special washer
2. Forging steel clip
3. Vulcanized rubber block

1: RAIL WITH PAD

2: RAIL WITHOUT PAD




Minimum assembly width - $W = \text{Rail width (F)} + 180 \text{ mm}$

SINCHOLD

3224/20/44



SINCHOLD Bolted Fixing

	F mm	C mm	A mm	RAIL WEIGHT (kg/m)	1. CLIP REFERENCE FOR RAIL WITH PAD	2. CLIP REFERENCE FOR RAIL WITHOUT PAD
QU 100	150	100	150	89	3224/20/44 (S)	3224/20/44 (H)
QU 120	170	120	170	118.5	3224/20/44 (S)	3224/20/44 (H)
A 120	220	120	105	100	3224/20/44 (S)	3224/20/44 (H)
A 150	220	150	150	150.3	3224/20/44 (S)	3224/20/44 (H)
ISCR 100	150	102	150	89	3224/20/44 (S)	3224/20/44 (H)
ISCR 120	170	120	170	118.5	3224/20/44 (S)	3224/20/44 (H)
ISCR 140	170	140	170	146	3224/20/44 (S)	3224/20/44 (H)
CR 73	140	100	135	73.3	3224/20/44 (S)	3224/20/44 (H)
86kg AS	165	102	102	85.5	3224/20/44 (S)	3224/20/44 (H)
MRS 86	165	102	102	85.5	3224/20/44 (S)	3224/20/44 (H)
MRS 87 (PRI85R)	152	102	152	86.8	3224/20/44 (S)	3224/20/44 (H)
MRS 125	180	120	180	125	3224/20/44 (S)	3224/20/44 (H)

This clip can be used for a wider selection of rails than illustrated. Please contact SINCHOLD for the full range of possible rails. All rails can be fastened with bolted or welded base clips. SINCHOLD may change or improve their products and also alter specifications without notice.

INSTALLATION INSTRUCTIONS:

The hexagon headed fixing bolt can be inserted from above or below the supporting structure – see adjacent configurations.

If it is desired to fix the clip with a welded stud, this may be possible. Please consult SINCHOLD for guidance.

TIGHTENING TORQUE
Grade 8.8 bolt 650Nm
Grade 10.9 bolt 950Nm
Please contact SINCHOLD
for full installation instructions.

BOLT CONFIGURATIONS:



SINCHOLD Port Engineering Co.,Ltd

Tel: 0086-510-83768896 Fax: 0086-510-83768826

E-mail: sales@sinchold.com

Add: No.82 Dongzhuang Industrial Park, Yanqiao Street,
Huishan District, Wuxi City, Jiangsu Province, P.R. China


www.sinchold.com

SINCHOLD 3224/20/44