

SINCHOLD Bolted Fixing

SINCHOLD 3222/17/44

Adjustable crane rail clip is designed to fix light rails in the most arduous applications. It can withstand a horizontal force from the rail of **290kN(29.2 tonnes)**. Its low profile allows it to be used with cranes that are fitted with guide rollers.

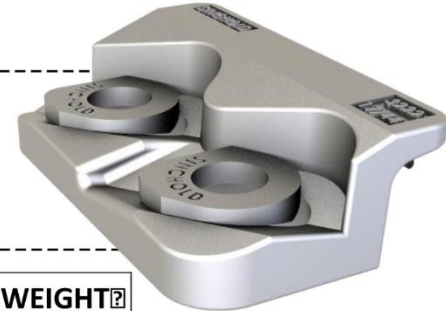
SPECIFICATIONS :

MAX SIDE LOAD **290kN**

17 mm HORIZONTAL RAIL ADJUSTMENT

DIMENSIONS (mm) :

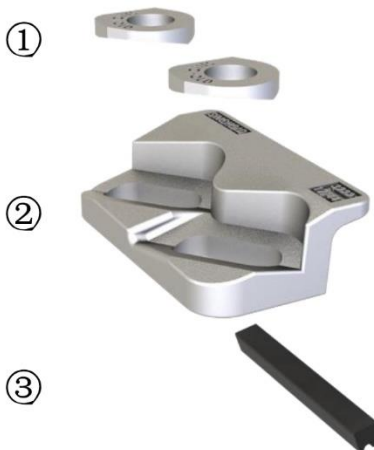
| REF NO. | X | Y | Y | Z | WEIGHT ^② kg |
|-------------------|-----------------------|----------|----------|------|---------------------------|
| | | FULL NUT | THIN NUT | | |
| 3222/17/44 | 44 | 45 | 40 | 24 | 1.87 |
| S (rubber) | RAIL WITH PAD PLAN | | | 14mm | |
| H (rubber) | RAIL WITHOUT PAD PLAN | | | 21mm | |



FEATURES

- The proven design has been used successfully for many years throughout the world.
- The clip is bolted to the rail support.
- The two main parts are locked together on tightening the nut.
- A special vulcanized rubber block applies a controlled force to the rail.

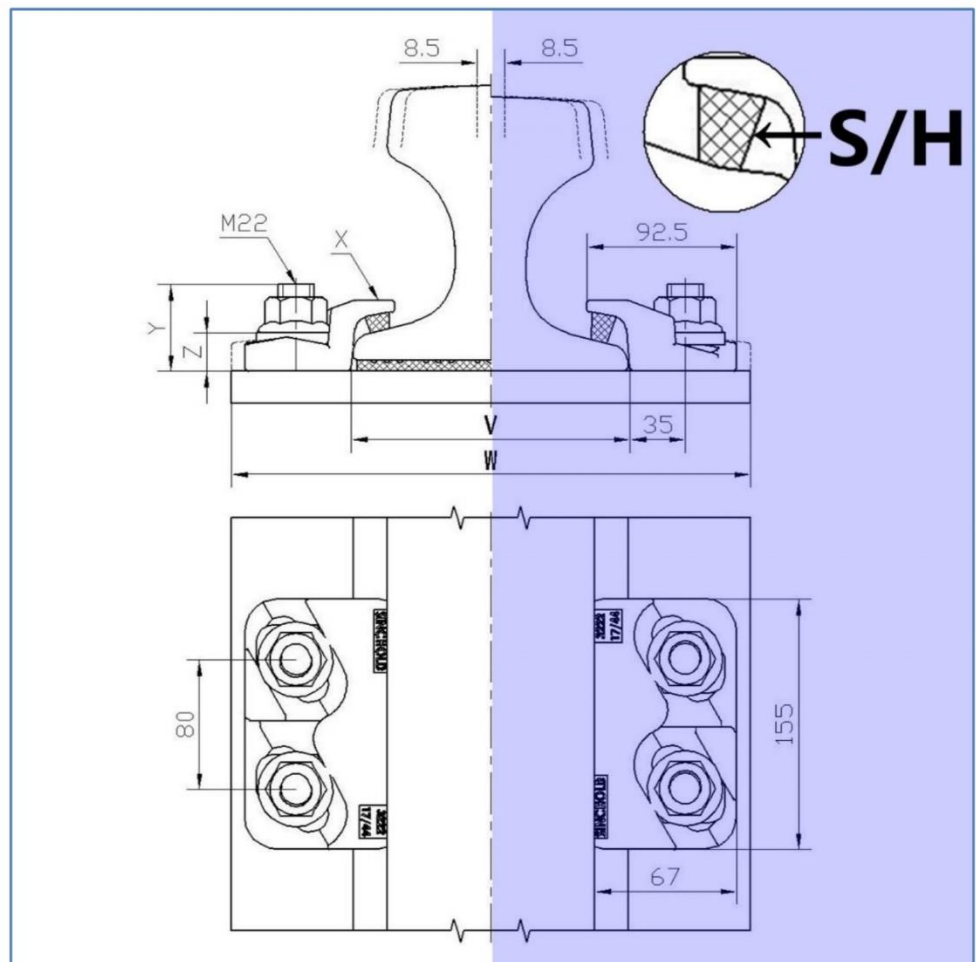
COMPONENTS



1. Special washer
2. Forging steel clip
3. Vulcanized rubber block

1: RAIL WITH PAD

2: RAIL WITHOUT PAD




Minimum assembly width - $W = \text{Rail width (F)} + 151 \text{ mm}$

SINCHOLD

3222/17/44



SINCHOLD Bolted Fixing

|  | F mm | C mm | A mm | RAIL WEIGHT (kg/m) | 1. CLIP REFERENCE FOR RAIL WITH PAD | 2. CLIP REFERENCE FOR RAIL WITHOUT PAD |
|---|---------|---------|---------|--------------------------|--|--|
| QU 70 | 120 | 70 | 120 | 52.8 | 3222/17/44 (S) | 3222/17/44 (H) |
| QU 80 | 130 | 80 | 130 | 63.69 | 3222/17/44 (S) | 3222/17/44 (H) |
| QU100 | 150 | 100 | 150 | 89 | 3222/17/44 (S) | 3222/17/44 (H) |
| QU120 | 170 | 120 | 170 | 118.5 | 3222/17/44 (S) | 3222/17/44 (H) |
| P 50 | 132 | 70 | 152 | 51.514 | 3222/17/44 (S) | 3222/17/44 (H) |
| P 60 | 150 | 73 | 176 | 61 | 3222/17/44 (S) | 3222/17/44 (H) |
| UIC 54 | 140 | 70 | 159 | 54.43 | 3222/17/44 (S) | 3222/17/44 (H) |
| UIC 60 | 150 | 72 | 172 | 60.21 | 3222/17/44 (S) | 3222/17/44 (H) |
| 56 E1 | 140 | 70 | 159 | 56.27 | 3222/17/44 (S) | 3222/17/44 (H) |
| A 100 | 200 | 100 | 95 | 74.3 | 3222/17/44 (S) | 3222/17/44 (H) |
| A120 | 220 | 120 | 105 | 100 | 3222/17/44 (S) | 3222/17/44 (H) |
| A150 | 220 | 150 | 150 | 150.3 | 3222/17/44 (S) | 3222/17/44 (H) |
| ISCR 80 | 130 | 82 | 130 | 64.4 | 3222/17/44 (S) | 3222/17/44 (H) |

This clip can be used for a wider selection of rails than illustrated. Please contact SINCHOLD for the full range of possible rails. All rails can be fastened with bolted or welded base clips. SINCHOLD may change or improve their products and also alter specifications without notice.

INSTALLATION INSTRUCTIONS:

The hexagon headed fixing bolt can be inserted from above or below the supporting structure – see adjacent configurations.

If it is desired to fix the clip with a welded stud, this may be possible. Please consult SINCHOLD for guidance.

TIGHTENING TORQUE
Grade 8.8 bolt 550Nm
Grade 10.9 bolt 750Nm
Please contact SINCHOLD for full installation instructions.

BOLT CONFIGURATIONS:



SINCHOLD Port Engineering Co.,Ltd

Tel: 0086-510-83768896 Fax: 0086-510-83768826

E-mail: sales@sinchold.com

Add: No.82 Dongzhuang Industrial Park, Yanqiao Street,
Huishan District, Wuxi City, Jiangsu Province, P.R. China


sinchold[®]
www.sinchold.com

SINCHOLD 3222/17/44