

## SINCHOLD Bolted Fixing

### SINCHOLD 3124/20/42

Adjustable crane rail clip is designed to fix light rails in the most arduous applications. It can withstand a horizontal force from the rail of **125kN(12.7 tonnes)**. Its low profile allows it to be used with cranes that are fitted with guide rollers.

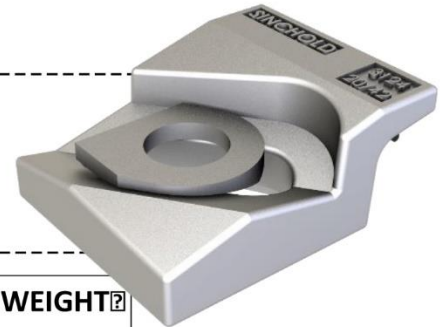
### SPECIFICATIONS :

MAX SIDE LOAD **125kN**

**20 mm** HORIZONTAL RAIL ADJUSTMENT

### DIMENSIONS (mm) :

REF NO.	X	Y	Y	Z	WEIGHT <sup>②</sup> kg
		FULL NUT	THIN NUT		
3124/20/42	42	50	45	26	1.25
<b>S (rubber)</b>	RAIL WITH PAD PLAN			14mm	
<b>H (rubber)</b>	RAIL WITHOUT PAD PLAN			21mm	



### FEATURES

- The proven design has been used successfully for many years throughout the world.
- The clip is bolted to the rail support.
- The two main parts are locked together on tightening the nut.
- A special vulcanized rubber block applies a controlled force to the rail.

### COMPONENTS

①



②



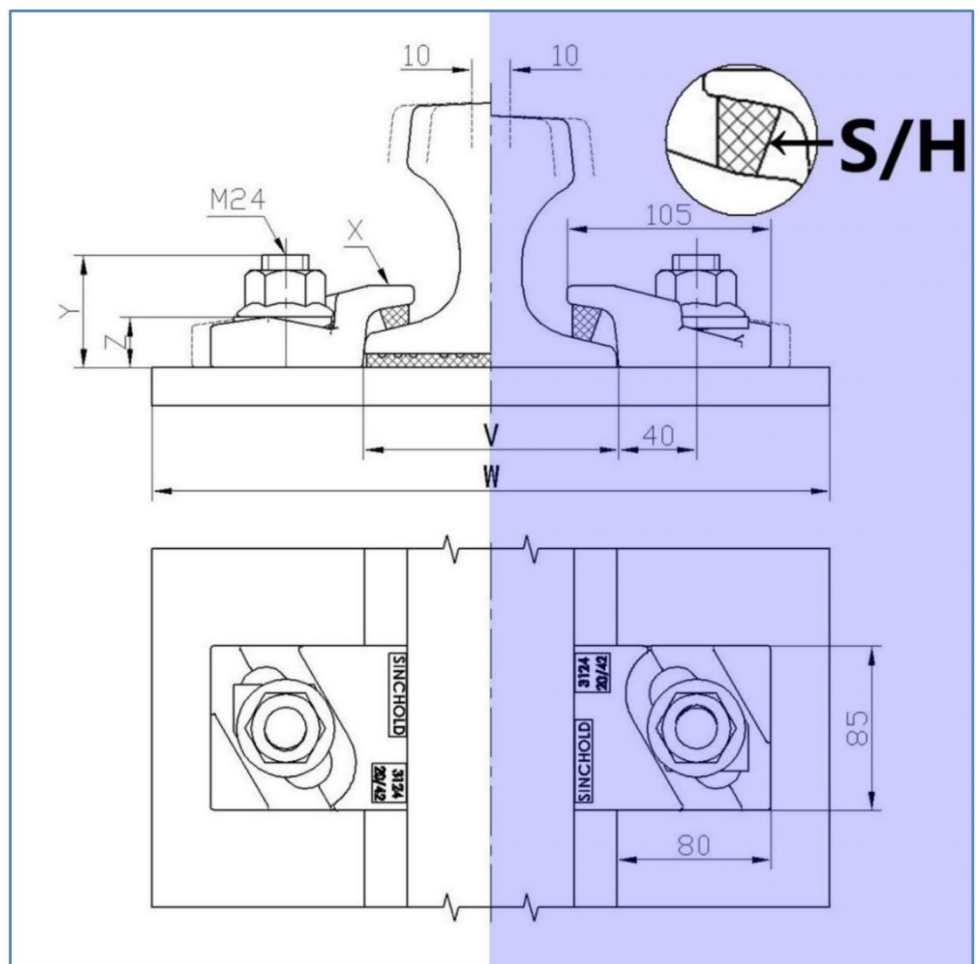
③



1. Special washer
2. Forging steel clip
3. Vulcanized rubber block

### 1: RAIL WITH PAD

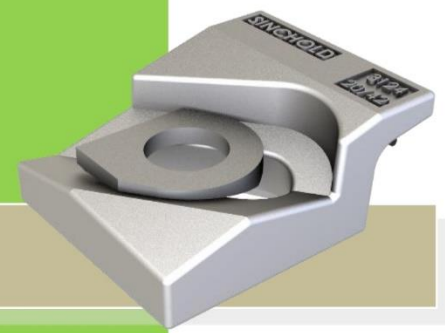
### 2: RAIL WITHOUT PAD



Minimum assembly width - W = Rail width (F) + 180mm

# SINCHOLD

# 3124/20/42



## SINCHOLD Bolted Fixing

	F mm	C mm	A mm	RAIL WEIGHT (kg/m)	1. CLIP REFERENCE FOR RAIL WITH PAD	2. CLIP REFERENCE FOR RAIL WITHOUT PAD
QU100	150	100	150	89	3124/20/42 (S)	3124/20/42 (H)
QU120	170	120	170	118.5	3124/20/42 (S)	3124/20/42 (H)
P 60	150	73	176	61	3124/20/42 (S)	3124/20/42 (H)
JIS 60	145	64	174	60.8	3124/20/42 (S)	3124/20/42 (H)
MRS87B(175CR)	152	102	152	86.8	3124/20/42 (S)	3124/20/42 (H)
MRS125	180	120	180	125	3124/20/42 (S)	3124/20/42 (H)
A100	200	100	95	74.3	3124/20/42 (S)	3124/20/42 (H)
A120	220	120	105	100	3124/20/42 (S)	3124/20/42 (H)
A150	220	150	150	150.3	3124/20/42 (S)	3124/20/42 (H)
CR73	140	100	135	73.3	3124/20/42 (S)	3124/20/42 (H)
CR100	155	120	150	100.2	3124/20/42 (S)	3124/20/42 (H)
ISCR100	150	102	150	89	3124/20/42 (S)	3124/20/42 (H)
ISCR120	170	120	170	118.5	3124/20/42 (S)	3124/20/42 (H)
86kgAS	165	102	102	85.5	3124/20/42 (S)	3124/20/42 (H)

This clip can be used for a wider selection of rails than illustrated. Please contact SINCHOLD for the full range of possible rails. All rails can be fastened with bolted or welded base clips. SINCHOLD may change or improve their products and also alter specifications without notice.

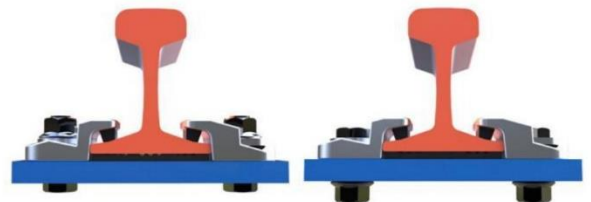
### INSTALLATION INSTRUCTIONS:

The hexagon headed fixing bolt can be inserted from above or below the supporting structure – see adjacent configurations.

If it is desired to fix the clip with a welded stud, this may be possible. Please consult SINCHOLD for guidance.

**TIGHTENING TORQUE**  
Grade 8.8 bolt 600Nm  
Grade 10.9 bolt 750Nm  
Please contact SINCHOLD for full installation instructions.

### BOLT CONFIGURATIONS:



**SINCHOLD Port Engineering Co.,Ltd**

Tel: 0086-510-83768896 Fax: 0086-510-83768826

E-mail: [sales@sinchold.com](mailto:sales@sinchold.com)

Add: No.82 Dongzhuang Industrial Park, Yanqiao Street,  
Huishan District, Wuxi City, Jiangsu Province, P.R.China

  
[www.sinchold.com](http://www.sinchold.com)

**SINCHOLD 3124/20/42**