

SINCHOLD Bolted Fixing

SINCHOLD 3120/17/38

Adjustable crane rail clip is designed to fix light rails in the most arduous applications. It can withstand a horizontal force from the rail of **75kN(7.6 tonnes)**. Its low profile allows it to be used with cranes that are fitted with guide rollers.

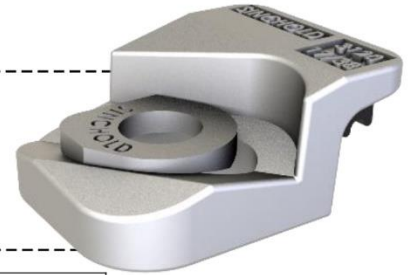
SPECIFICATIONS :

MAX SIDE LOAD 75kN

17 mm HORIZONTAL RAIL ADJUSTMENT

DIMENSIONS (mm) :

REF NO.	X	Y	Y	Z	WEIGHT ^② kg
		FULL NUT	THIN NUT		
3120/17/38	38	43	38	21	0.68
S (rubber)	RAIL WITH PAD PLAN			14mm	
H (rubber)	RAIL WITHOUT PAD PLAN			21mm	

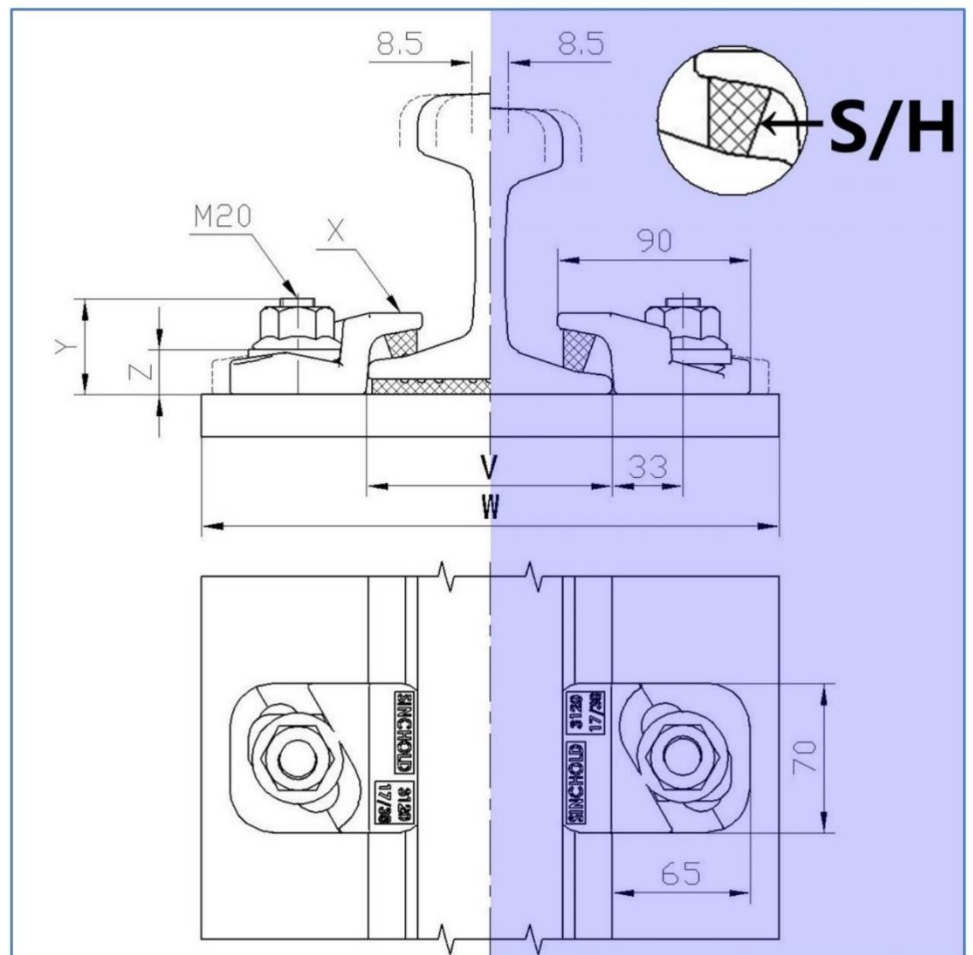


FEATURES

- The proven design has been used successfully for many years throughout the world.
- The clip is bolted to the rail support.
- The two main parts are locked together on tightening the nut.
- A special vulcanized rubber block applies a controlled force to the rail.

1: RAIL WITH PAD

2: RAIL WITHOUT PAD



COMPONENTS

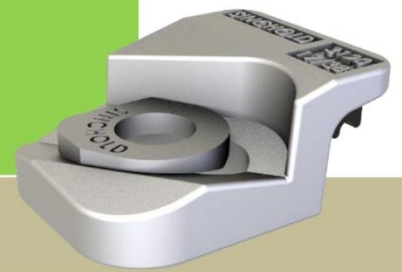


1. Special washer
2. Forging steel clip
3. Vulcanized rubber block


Minimum assembly width - W = Rail width (F) + 147mm

SINCHOLD

3120/17/38



SINCHOLD Bolted Fixing

	F mm	C mm	A mm	RAIL WEIGHT (kg/m)	1. CLIP REFERENCE FOR RAIL WITH PAD	2. CLIP REFERENCE FOR RAIL WITHOUT PAD
QU 70	120	70	120	52.8	3120/17/38 (S)	3120/17/38 (H)
QU 80	130	80	130	63.69	3120/17/38 (S)	3120/17/38 (H)
P 50	132	70	152	51.514	3120/17/38 (S)	3120/17/38 (H)
JIS 37	122	63	122	37.2	3120/17/38 (S)	3120/17/38 (H)
UIC 54	140	70	159	54.43	3120/17/38 (S)	3120/17/38 (H)
UIC 60	150	72	172	60.21	3120/17/38 (S)	3120/17/38 (H)
56 E1	140	70	159	56.27	3120/17/38 (S)	3120/17/38 (H)
S 33	105	58	134	33.47	3120/17/38 (S)	3120/17/38 (H)
S 41	125	67	138	41.4	3120/17/38 (S)	3120/17/38 (H)
S 49	125	67	149	49.43	3120/17/38 (S)	3120/17/38 (H)
S 54	125	67	154	54.5	3120/17/38 (S)	3120/17/38 (H)
A 65	175	65	75	43.1	3120/17/38 (S)	3120/17/38 (H)
A 75	200	75	85	56.2	3120/17/38 (S)	3120/17/38 (H)
A 100	200	100	95	74.3	3120/17/38 (S)	3120/17/38 (H)
41 kg AS	127	65	136.5	40.7	3120/17/38 (S)	3120/17/38 (H)
50 kg AS	127	70	154	50.8	3120/17/38 (S)	3120/17/38 (H)
53 kg AS	146	70	157	53	3120/17/38 (S)	3120/17/38 (H)
ISCR 60	105	60	105	40	3120/17/38 (S)	3120/17/38 (H)
ISCR 80	130	82	130	64.4	3120/17/38 (S)	3120/17/38 (H)
AFNOR 46	134	62	145	46.36	3120/17/38 (S)	3120/17/38 (H)
BV50-SJ50	133	70	155	50	3120/17/38 (S)	3120/17/38 (H)

This clip can be used for a wider selection of rails than illustrated. Please contact SINCHOLD for the full range of possible rails. All rails can be fastened with bolted or welded base clips. SINCHOLD may change or improve their products and also alter specifications without notice.

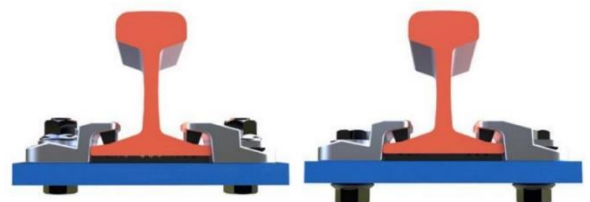
INSTALLATION INSTRUCTIONS:

The hexagon headed fixing bolt can be inserted from above or below the supporting structure – see adjacent configurations.

If it is desired to fix the clip with a welded stud, this may be possible. Please consult SINCHOLD for guidance.

TIGHTENING TORQUE
 Grade 8.8 bolt 390Nm
 Grade 10.9 bolt 600Nm
 Please contact SINCHOLD for full installation instructions.

BOLT CONFIGURATIONS:



SINCHOLD Port Engineering Co.,Ltd

Tel: 0086-510-83768896 Fax: 0086-510-83768826

E-mail: sales@sinchold.com

Add: No.82 Dongzhuang Industrial Park, Yanqiao Street, Huishan District, Wuxi City, Jiangsu Province, P.R.China



www.sinchold.com

SINCHOLD 3120/17/38